

diald out.

Note: if you push AUTO "0" it will call 911

11 Wall Mounting

Use a 6 mm drill and 27mm screw to hook when wall mounted.

Remove the pin under the handset flip and install it again in the same place.

Trouble Shooting

Called party hears no or weak voice.

Check the handset and cord connection

No function

Unplug the phone, disconnect all cords and reinstall the phone as written in the manual.

No ringing or dial tone

Check the line cord connection.

Check the handset cord connection.

Check if the telephone line or PABX line is working.

One ring only and the line is broken

Check the jumper box.

Check if there are parallel units on the same line if so remove them.

Maintenance

NOTICE: If your home has specially wired alarm equipment connected to the Telephone line; ensure the installation of this equipment FC-1001 does not disable your alarm equipment. If you have questions about what will disable alarm equipment, consult your telephone company or a qualified installer.

WARNING: Changes or modifications to this unit not expressly approved by the party responsible for compliance could void the user's authority to operate the equipment.

SERVICE

According to FCC regulation. This equipment which has been certified and registered by the FCC, may only be repaired by authorized person, or else the FCC certification may be voided. Should you encounter any problems, please call the FUTURE CALL LLC.

Toll-free Customer Hotline for assistance:

1-888-934-CALL, Monday - Friday between 9:00 am - 6:00 pm PST

For general inquires, you can E-Mail to info@future-call.com or visit our website at www.future-call.com

FOR WARRANTY AND OUT-OF WARRANTY SERVICE:

You may call our toll-free hot line on 1-888-934-CALL (1-888-934-2255) 9AM-6PM PST or E-mail to help@future-call.com

QUESTIONS?

STOP...don't yet take unit back to the store.

LOOK...for the toll-free "help" telephone number.

LISTEN... as our experts talk you through the problem.

For immediate answers to your questions regarding operation, missing parts or installation call:

FUTURE CALL LLC

HOTLINE & E-MAIL AT:

Toll free 1-888-934-CALL (2255) or help@future-call.com

FUTURECALL

FC-1001

User's Manual

This manual is made in order to familiarize you with your phone. In order to get maximum benefits of this product, we suggest that you read the User's Manual carefully before using your phone.

FC-1001 User's Manual

Features

- Hands free function
- Redial function
- Flash function
- 40db Handset Volume
- 3 one touch Picture memories
- 9 Two Touch Memories
- In use Indicator and ringer indicator
- Speaker volume Min-Max switch
- Ringer OFF-LO-HI switch
- Wall mountable

Safety Instructions

- 1) Read and understand all instructions before using this phone and follow the warnings and instructions marked on the product.
- 2) This unit is an electrical device; do not use the phone when it is drenched in water or liquids. Unplug the line cord by disconnecting the modular jack before removing the phone from the liquid.
- 3) Do not place the phone near by bathtub, shower or similar environments, to avoid electrical shock.
- 4) Unplug the phone before cleaning it do not use liquid cleaners or aerosol cleaners.
- 5) Do not use the telephone to report a gas leak or in the vicinity of the leak.
- 6) Do not open the equipment.

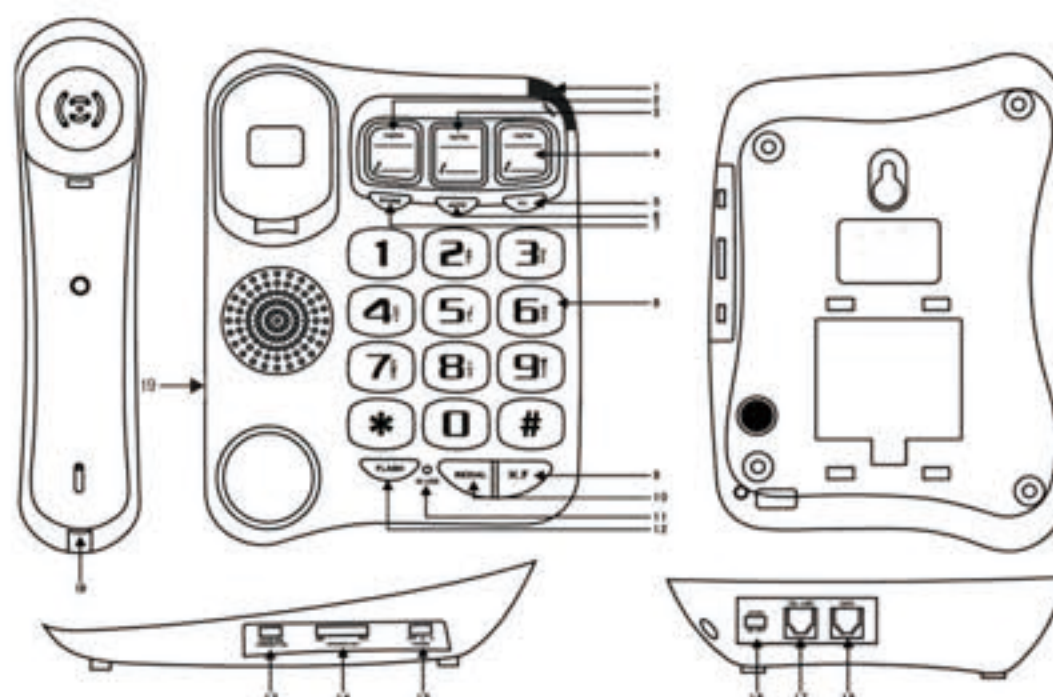
Installation

- 1) Put the telephone in a dry, ventilated and non-erode gas place
- 2) After installing the coil cord to the handset and base unit, connect the base unit to the telephone connection outlet using the straight line cord. Pick up the handset and you will hear the dial tone from the exchange. This means the phone is ready for use.

Package Items

Base unit	Handset	Coil cord	Straight line cord	User's manual
1	1	1	1	1

Phone Structure



1. RINGER LED LIGHT
2. PICTURE MEMORY KEY
3. PICTURE MEMORY KEY
4. PICTURE MEMORY KEY
5. 911KEY
6. AUTO KEY
7. STORE KEY
8. DIALING KEYS 0-9
9. H.F. KEY
10. REDIAL KEY
11. IN USE LED
12. FLASH KEY
13. HANDSET VOLUME SWITCH: LO-HI-VHI
14. SPEAKER VOLUME SWITCH: MIN-MAX
15. RINGER SWITCH: OFF-LO-HI
16. STORE ON-OFF SWITCH
17. TEL-LINE SOCKET
18. DATA SOCKET
19. HANDSET SOCKET

Use Method

1. To Receive a call

When the phone is ringing, pick up the handset or press SP-PHONE button

for conversation.

Replace the handset well or press the SP-PHONE button after the call is finished.

2. Hands free function

Press H.F. to dial and to talk by speakerphone.

When a new call comes, press H.F. to start a conversation, press it again to end the call.

3. HANDSET VOLUME SWITCH

Slide the "HANSET VOLUME" to 'MED' 'HI' OR 'VHI' position to adjust the handset volume. The default setting is "HI" position

4. FLASH

When there is an engaged tone or a wrong number, you can press FLASH button to hang up and make the next call. The FLASH button is also a useful feature for special telephone services such as call waiting and three party calling. Press briefly, release and perform the custom call procedure.

NOTE: Call waiting is a service of your local telephone company.

5. REDIAL

Pick up the handset and then press REDIAL key to dial out the last dialed number automatically.

6. RINGER SWITCH

Choose the "RINGER SWITCH" to "OFF" 'LO' 'HI' position by this you can adjust the ringer volume. The default setting is "HI" position

7. Speaker Volume SWITCH

Slide the "SPEAKER VOLUME" to "MIN" or 'MAX' position to adjust the speaker volume.

8. STORE ON/OFF SWITCH

When the switch is in the "ON" position, you can program the memories and when the switch is in the "OFF" position, you cannot program the memories at all. Make sure this switch is in the "OFF" position after you have stored all your memories. The default setting is "ON" position

9. Storing the 3 one Touch Picture Memories

Pick up the handset: → Press STORE button → Input Number → Press (M1-M3) key → replace handset.

Making a call from the one touch Picture memories

Pick up the handset Press (M1-M3) key → your number will be dialed out.

10. Storing 9 two Touch Memories

Pick up the handset: → Press STORE button → Input Number → Press STORE AGAIN → Press Memory location 1 - 9 → replace handset.

Making a call from the 2 touch memories

Pick up the handset

Press AUTO button → Press Memory Location 1 - 9 → your number will be

14. 85*31. 5cm